

installation & maintenance

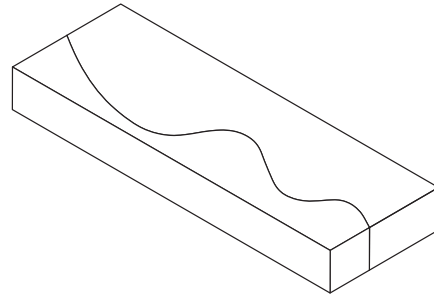
Never place the sofa less than 20-30 cm from a radiator or direct sunlight.

To clean the upholstery, use soft sponges or rags. Washing should be done with warm water and for more stubborn stains adding neutral soap.

The sofa can take different shapes depending on how its two parts are arranged.

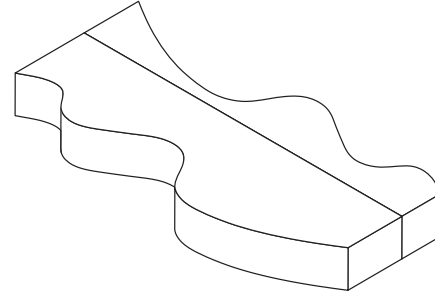
1_____

Edgy mattress



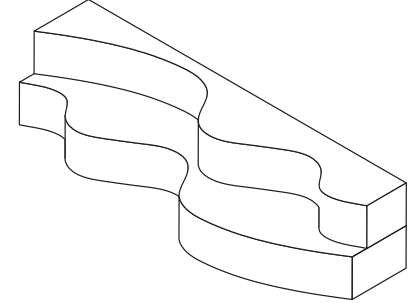
2_____

Wavy mattress



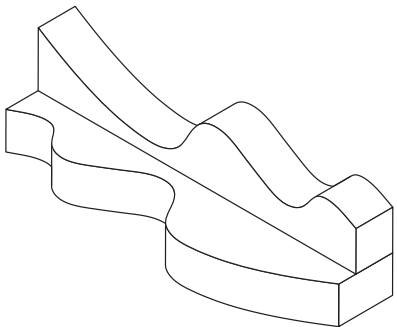
3_____

Low-back sofa



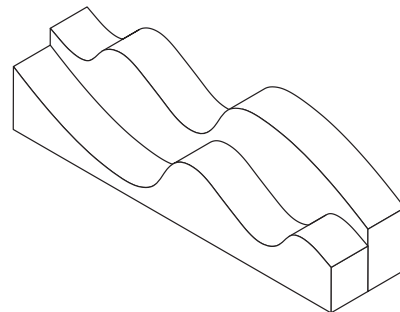
4_____

Tall-back sofa



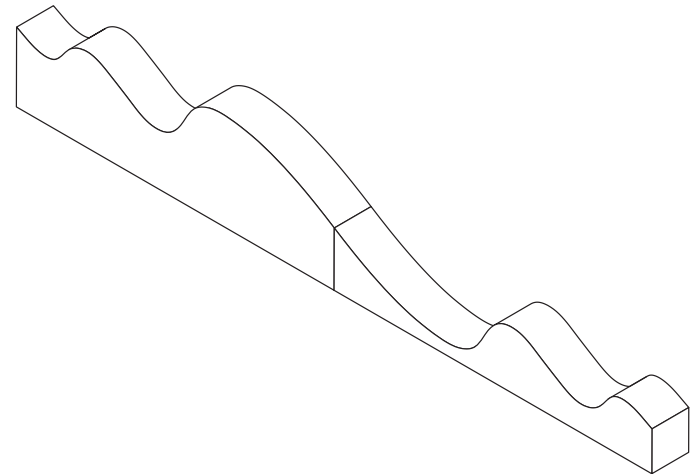
5_____

Short wave chaise longue



6_____

Double length chaise longue



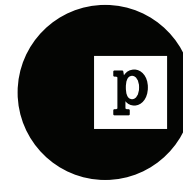
about

use	<i>indoor</i>
typology	<i>sofa</i>
year	<i>1967</i>
dimension	<i>240 x 100 x 38 [h] cm</i>
materials	<i>expanded polyurethane with PVC coated fabric covering</i>

warning

- ⚠ *Never place the armchair less than 20-30 cm from a radiator or direct sunlight.*
- ⚠ *To clean the upholstery, use soft sponges or rags with warm water and for more stubborn stains adding neutral soap.*
- ⚠ *Take care not to wear studs or buttons that can scratch the armchair.*

poltronova



**Centro Studi Poltronova
per il design srl**
via Lorenzo Bartolini 2,
50124 Firenze – Italy
www.poltronova.it
info@poltronova.it

Superonda

instructions