

about

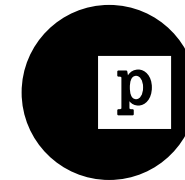
use	<i>indoor/outdoor</i>
typology	<i>armchair and footrest</i>
year	<i>2011</i>
dimension	<i>armchair</i> <i>85 x 108 x 84[h] cm</i>
	<i>footrest</i> <i>85 x 54 x 45[h] cm</i>
weight	<i>armchair</i> <i>22 kg</i>
	<i>footrest</i> <i>11 kg</i>
materials	<i>frame in powder-coated metal, cushions in polyurethane with covering in polyamide and elastane fabric with polyurethane mid layer</i>



warning

- ⚠ *When sitting on pillows, care should be taken not to wear studs or buttons that can scratch the coating.*
- ⚠ *Dust should be removed from the cushions by passing a soft cloth, as clothes beaters and vacuum cleaners could damage the padding and the coating.*
- ⚠ *Stains should be treated as soon as possible with a clean white cloth, moistened with warm water and, if necessary, with a specific detergent.*
- ⚠ *Never apply the detergent directly to the fabric. It is essential to proceed manually from the edges to the inside. Let dry in the open air, without ironing or vaporizing.*
- ⚠ *To pull off and wash the cushions, remove the belt by opening the snap buttons.*
- ⚠ *To remove and reinsert the cushions into the covers, pay special attention not to force the zip, folding the larger pillows on themselves.*
- ⚠ *Before removing it from the cover, pay attention to the direction of the cushion and the position of the zip, so to be able to reinsert the cushion properly later.*
- ⚠ *The fabrics must be dry cleaned by a specialist.*
- ⚠ *Care should be taken to turn the covers inside out before washing them.*
- ⚠ *Soap must be neutral and free of optical bleaches, as common detergents contain whiteners that can cause colour alteration.*
- ⚠ *The covering is designed for outdoor use, but it is recommended to remove it if the armchair is exposed for a long time to the sun or rain.*

- ⚠ *Clean the structure with a soft damp cloth, without using solvents or aggressive substances.*
- ⚠ *PoltronoVA will not be liable for products that are modified or used improperly.*
- ⚠ *PoltronoVA will replace merchandise with manufacturing defects only if the product is intact in all its parts and provided with the original or equivalent packaging.*



english

**Centro Studi PoltronoVA
per il design srl**
via Lorenzo Bartolini 2,
50124 Firenze – Italy
www.poltronoVA.it
info@poltronoVA.it

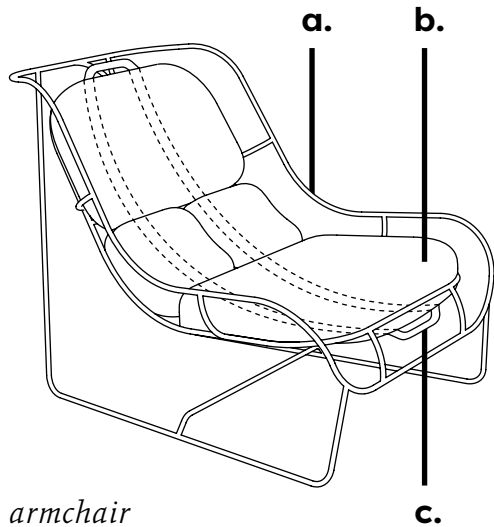
poltronoVA

Plasma

instructions

components

- a. frame
- b. cushions
- c. belt



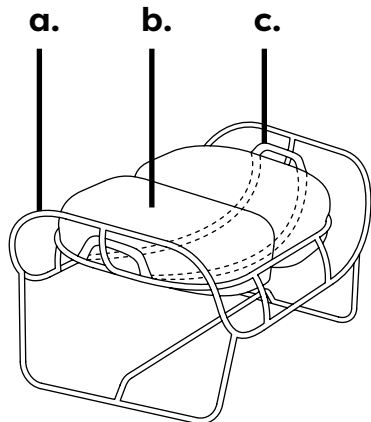
armchair

installation & maintenance

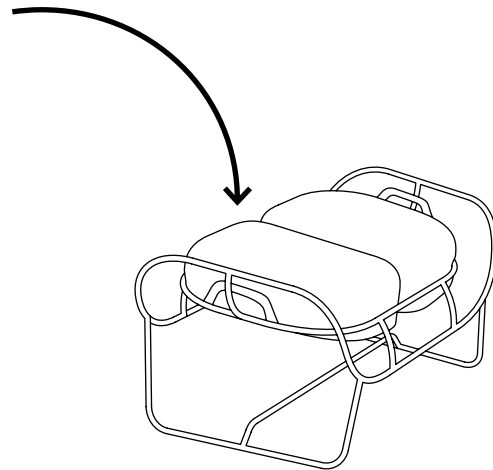
To pull off and wash the cushions, remove the belt by opening the snap buttons. To remove and reinsert the cushions into the covers, pay special attention not to force the zip, folding the larger pillows on themselves. Before removing it from the cover, pay attention to the direction of the cushion and the position of the zip, so to be able to reinsert the cushion properly later. The fabrics must be dry cleaned by a specialist, turning the covers inside out before washing.

2

Add the footrest cushions.

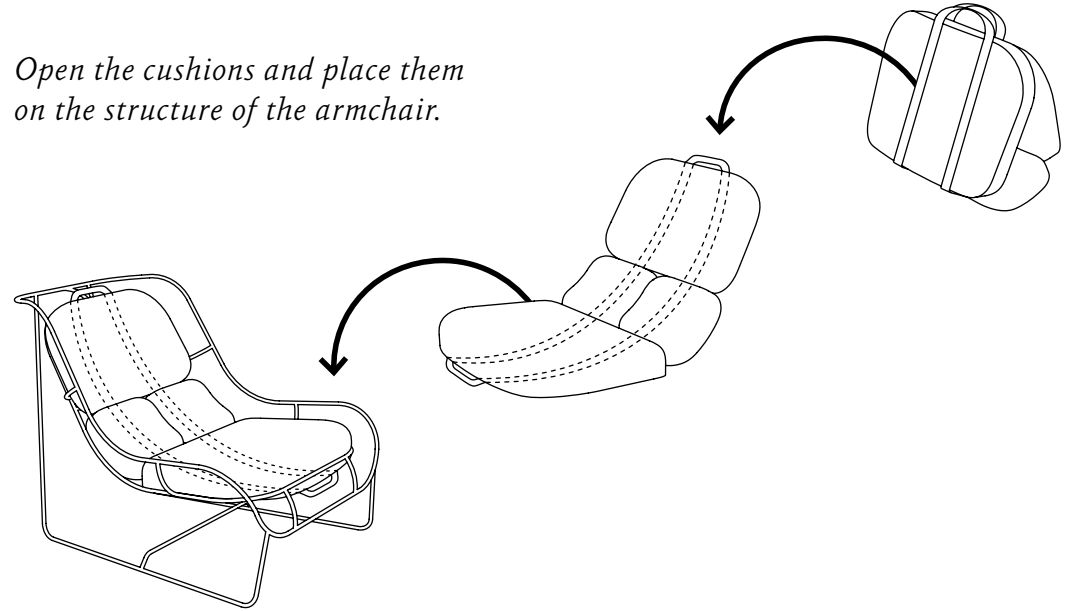


footrest



1

Open the cushions and place them on the structure of the armchair.



3

You're ready to enjoy your new Plasma!

